

COVERED MANUAL WALLMOUNT DISPENSER

FOAMING HAND DISPENSER

Prevent the spread of harmful germs & bacteria at the source by using our Foaming dispensers in your facilities. **With 3,000 applications between refills, our dispenser provides a controlled amount of foam formula** where hand hygiene is required.

HIGHLIGHTS & FEATURES

- Provides 3,000 applications inbetween refills reducing maintenance trips required.
- Foam pump dispenses consistent & controlled amounts of formula to reduce mess.
- Reduce pilferage on site with a protective cover using a key-lock restricting access to authorized personnel only.
- Light-weight and sleek design allows easy installation using screws or adhesive tape.
- Fully ADA Compliant dispenser meeting one-handed operation standards.

CLEAN-TIP TECHNOLOGY

Soapopular 10111 and 10111-NC cartridges are equipped with 7th generation foam tips that pull foam liquid back in the pump after application to completely erase wasteful leaks & spills. A more hygienic dispensing product.



CONSISTENT & RELIABLE



RICH FOAM FORMULA

Foam formula offers 2.5x more applications than gel and liquid.



3,000 APPLICATION

From start to finish, our dispenser applies a controlled amount of foam product.

Website: www.soapopular.com

E-mail: info@soapopular.com

DISPENSER MOUNTING INSTRUCTIONS - WITH TAPE

MOUNTING DISPENSER WITH TAPE

Caution: It is the installer's responsibility to ensure that installation of this unit complies with all applicable standards, codes, and regulatory requirements. Do not install this dispenser above sources of heat or near sources of ignition/flame.

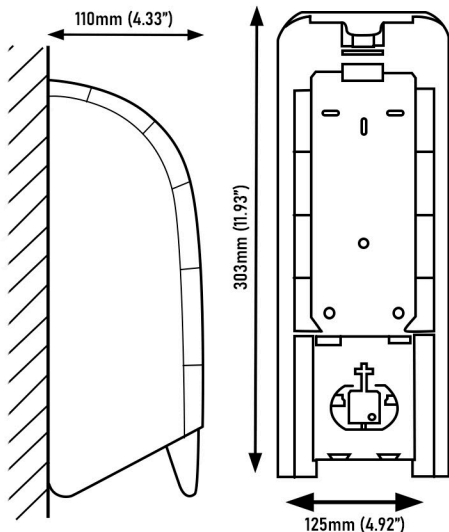
Mount unit only on dry, clean even wall parts or tiles. Do not install on moving furniture/objects (ie;doors) Do not install where a failure of mounting system, or dripping of product from hands may cause damage to equipment or create a potential safety hazard.

Leave at least 2" of clearance above the wallplate to allow for easy bottle insertion & removal. Dispenser is dishwasher safe, top rack only, max water temp. 140F (60C).

Some tile surfaces have treatments that may inhibit adhesion of tape. Test adhesion against the tile before filling dispenser.

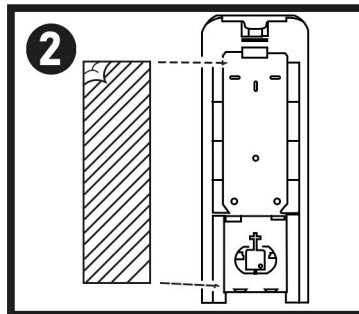
Do not use tape with concrete, brick, or masonry surfaces; surfaces that have a coating/chemical impregnation or porous surfaces.

DISPENSER MEASUREMENTS



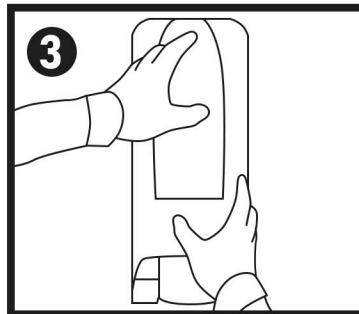
- 1 Find a flat & smooth surface to place the dispenser. First wipe the surface area with the included alcohol wipe.

Ensure a thorough clean of the surface and let the area dry. **DO NOT** use brick or concrete surfaces.



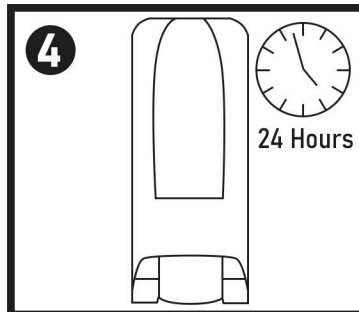
- 2 REMOVE the key first from the backplate before install. Take the provided adhesive tape and peel the protective cover from one side.

Apply the adhesive to the backplate firmly.



- 3 Peel the remaining side of the adhesive tape & press the dispenser against the cleaned area of the wall.

Continue to apply a firm pressure for 10 seconds.



- 4 DO NOT fill the dispenser with cartridges until after 24 hours. This will allow the adhesion to solidify before weight is applied.

DISPENSER MOUNTING INSTRUCTIONS - WITH SCREWS

MOUNTING DISPENSER WITH SCREWS

Caution: It is the installer's responsibility to ensure that installation of this unit complies with all applicable standards, codes, and regulatory requirements. Do not install this dispenser above sources of heat or near sources of ignition/flame.

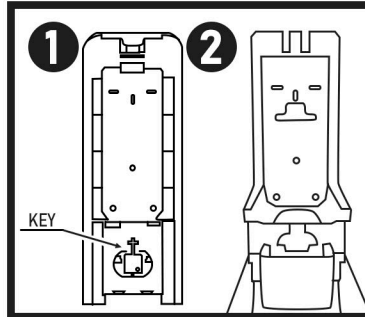
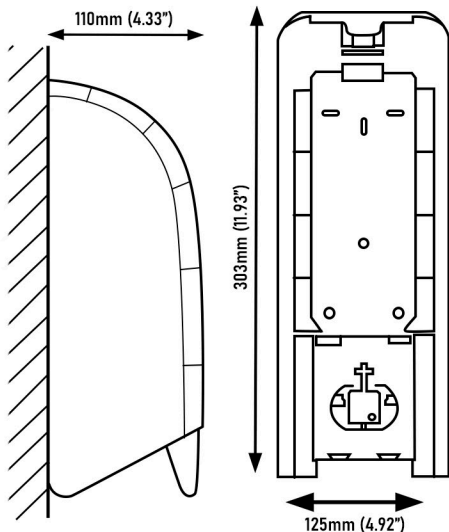
Mount unit only on dry, clean even wall parts or tiles. Do not install on moving furniture/objects (ie;doors) Do not install where a failure of mounting system, or dripping of product from hands may cause damage to equipment or create a potential safety hazard.

Leave at least 2" of clearance above the wallplate to allow for easy bottle insertion & removal. Dispenser is dishwasher safe, top rack only, max water temp. 140F (60C).

Wall anchors provided with the dispenser are to be used with masonry surfaces such as brick, tiles, & concrete.

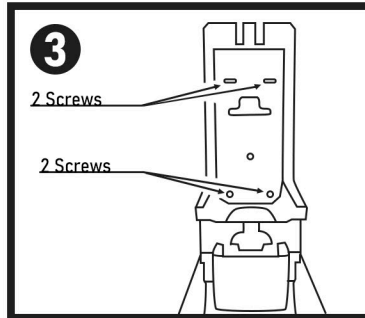
For surfaces other than masonry, the installer must use and select the appropriate fasteners. (i.e; zip plugs, and/or toggle bolts.)

DISPENSER MEASUREMENTS



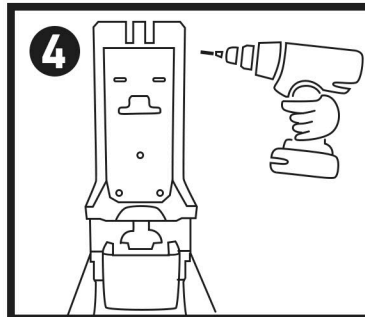
1 REMOVE key from backplate before installation. Open the dispenser cover using key.

2 With the dispenser cover now open, use the backplate as a guide to align screw holes to the wall for final placement.



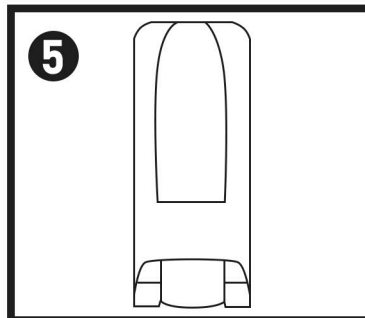
3 The 4 screws provided will go in the marked holes shown in the diagram.

Ensure proper alignment of dispenser before using the screws.



4 Screws provided are meant to be used on drywall, concrete, and brick surfaces.

Use a 3/16" drill bit to mount the back plate to the wall.

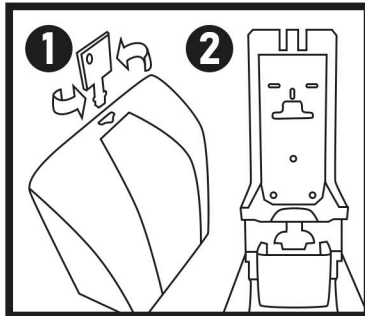


5 With the screws holding the dispenser securely against the wall, you can close the dispenser cover.

TECHNICAL DATA SPECIFICATIONS

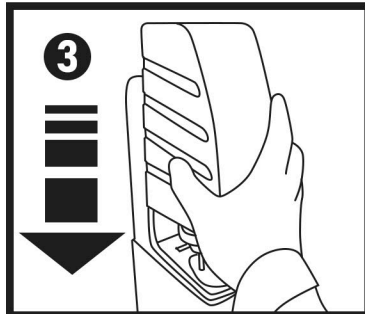
SETUP + REFILL INSTRUCTIONS

1 Take the dispenser key and place it into the keyhole on top of the dispenser & twist the key counter-clockwise or clockwise to open cover.



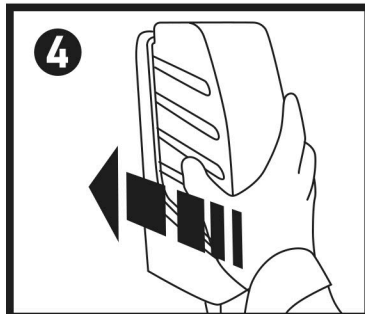
2 With the cover open, grab a cartridge refill and prepare to place it into the dispenser.

3 With the tip of the cartridge placed above the circle hole of the dispenser base, push cartridge down into the hole until it rests on the base.



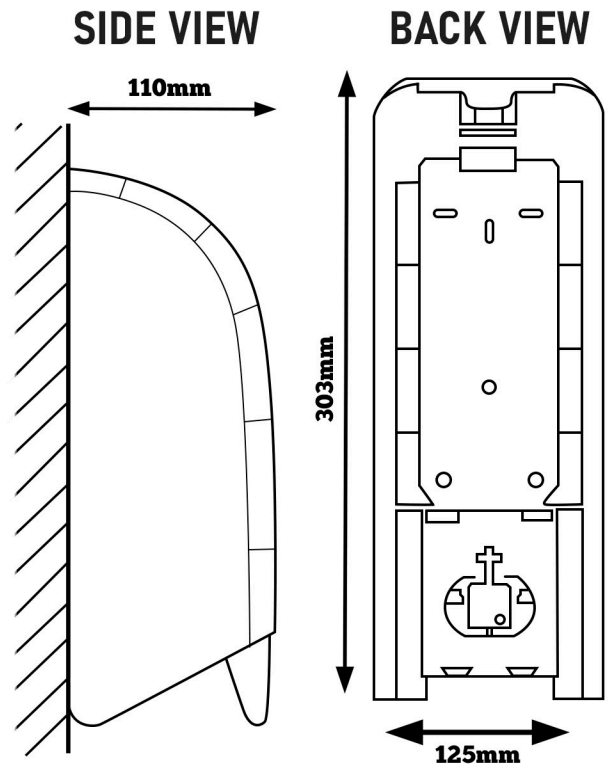
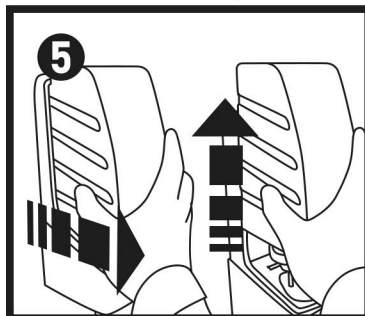
4 Push the cartridge forward toward the dispenser until you feel the cartridge click into place.

Once the cartridge is secured, close the protective cover.



5 To refill the dispenser, simply unlock the dispenser cover by using the key then reverse the previous steps by pulling the cartridge towards you. Lift the cartridge up and away from the dispenser.

Then place the new cartridge into the dispenser as shown in steps 1-4.



SPECIFICATIONS

Product Code:	10111
Number of Applications:	3,000
Dispensed Formula:	FOAM
Dispenser Capacity:	1,000 (34 o.z)
Features:	Clean-tip Technology

TECHNICAL DATA

Length x Width x Height:	12.25in x 5.50in x 5.25in
Dispenser Weight:	2.00 lbs.
Pieces per Pack:	1 / 6
Pieces per Pallet:	648
Application Type:	MANUAL

Website: www.soapopular.com
E-mail: info@soapopular.com